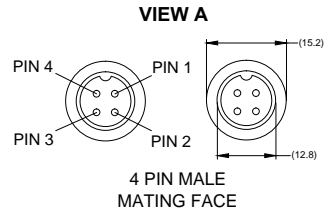
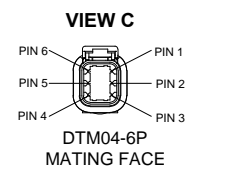


Revision Notes.				
R1 -				
APA: -	Drawn:-	Checked:-	Approved:-	Date: -



PIN #	WIRE COLOUR	DESCRIPTION
1	RED	+12V
2	BLACK	GND
3	WHITE	AUDIO
4	YELLOW	VIDEO

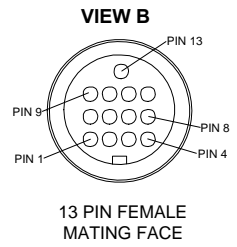


PIN #	WIRE COLOUR	DESCRIPTION
1	N/A	CAVITY PLUG
2	RED	DC 12-24V
3	BLACK	GND
4	WHITE	TRIG. CA1
5	BLUE	TRIG. CA2
6	BROWN	TRIG. CA3

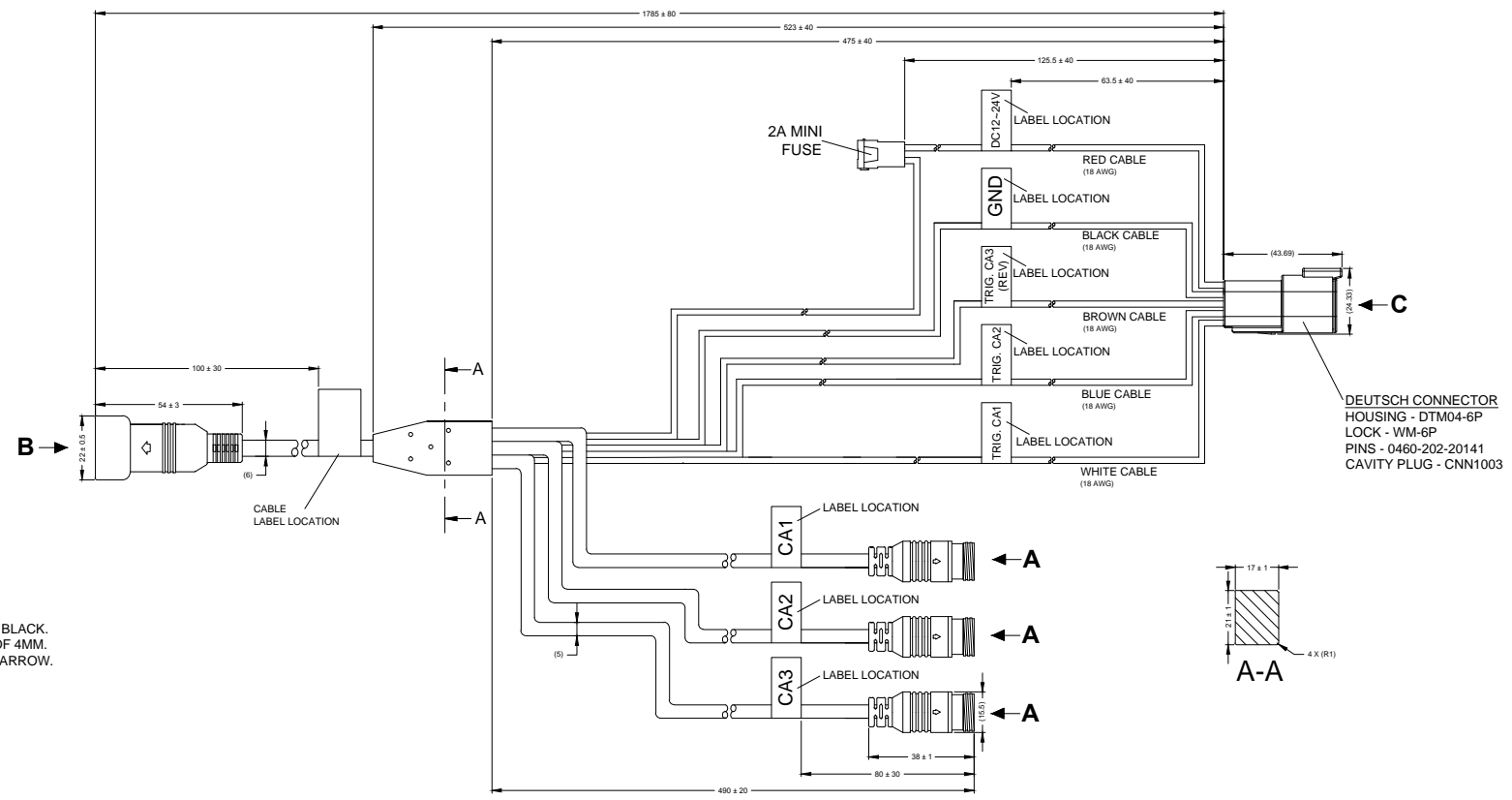
CHANGES FROM BASE PRODUCT VBV-7X0M-CA (3176B) TO VBV-7X0M-CA(DTM) (5087)

- CHANGE:
- DEUTSCH CONNECTOR ADDED.
 - CONNECTOR HOUSING - DTM04-6P.
 - CONNECTOR LOCK - WM-6P.
 - CONNECTOR PINS - 0460-202-20141
 - CAVITY PLUG ADDED - CNN1003
 - VBV-7X0M-CA CABLE LABEL REPLACED BY VBV-7X0M-CA(DTM) CABLE LABEL

OPERATION: OPERATION IS SAME AS BASE PRODUCT



PIN #	WIRE COLOUR	DESCRIPTION
1	RED	+12/24V
2	BROWN	TRIGGER 3
3	BLUE	TRIGGER 2
4	PURPLE	TRIGGER 1
5	PALE RED	CA1 +12V OUT
6	GRAY	CA1 AUDIO
7	YELLOW	CA1 VIDEO
8	GREEN	CA2 +12V OUT
9	PALE GREEN	CA2 AUDIO
10	WHITE	CA2 VIDEO
11	BLACK	CA3 +12V OUT
12	PALE BLUE	CA3 AUDIO
13	ORANGE	CA3 VIDEO
14	BLACK	GROUND



- SPECIFICATIONS**
- ALL LABELS SHOULD BE SILVER.
 - ALL INK SHOULD BE PERMANENT BLACK.
 - FONT USED ON LABELS SHOULD BE ARIAL BLACK.
 - ALL TEXT PRINTED SHOULD BE MINIMUM OF 4MM.
 - CONNECTOR GUIDES MUST LINE UP WITH ARROW.

- NOTES:**
- CABLE TO BE HELD NEATLY TOGETHER BY TWIST TIE.
 - ENSURE ARROWS LINE UP WITH LOCATING LUG ON CONNECTOR.
 - MAXIMUM POSSIBLE RESISTANCE PERMITTED FOR CABLE IS 1.2Ω.
 - CABLE TO BE SUPPLIED IN A SUITABLE PRESS SEAL BAG WHEN SUPPLIED AS A SPARE PART.
 - FOR CABLE LABEL REFER TO LATEST REVISION OF CABLE LABEL DRAWING BE-003385-XX-16
 - FOR CONNECTOR C DETAILS REFER TO CONNECTOR MANUFACTURERS DETAIL

PROPRIETARY NOTICE
 THIS DESIGN AND TECHNICAL INFORMATION APPEARING ON THIS DRAWING IS THE PROPERTY OF BRIGADE ELECTRONICS, AND IS DISCLOSED IN CONFIDENCE. IT IS NOT TO BE COPIED, REPRODUCED, REVEALED TO OR EXPROPRIATED BY OTHERS, EITHER IN WHOLE OR IN PART WITHOUT THE EXPRESS WRITTEN CONSENT OF BRIGADE ELECTRONICS.



Assembly Pl Approval S.ATTWOOD (06/05/16)	Approved by B.CHILDS	Checked by R.BATES	Drawn by D.RICHARDSON
Customer Approval I.ABDALLA 09/05/16	Angle of Projection Third Angle	Units mm	Scale N/A
		Status RELEASED	Released 09/05/16
		Part No 5087	Assembly Ref - VBV-7X0M-CA(DTM) BE-003349-00-16